

© Semingson Architecture & Engineering, Inc. All rights reserved. Semingson Architecture & Engineering, Inc. does not represent these plans or specifications in connection therewith are suitable whether or not modified for any other site other than the one for which they were specifically prepared, and disclaim responsibility if they are used in whole or in part at any other site.



APPROX. 2,538 LIN. FT. OF 7' WROUGHT IRON FENCING
 (13) 36" MAN GATES
 (5) 20' VEHICLE GATE
 (1) 72" DOUBLE MAN GATE

NOTE: ALL NEW FENCING IS TO BE MONTAGE COMMERCIAL

SITE PLAN LEGEND

- (E) FENCE LINE
- (N) FENCE LINE
- (N) MAN GATE
- (N) DOUBLE MAN GATE
- (N) VEHICLE GATE

1 FENCING LAYOUT PLAN
 SCALE: 1"=40'

AGENCY STAMP

SEMINGSON
 ARCHITECTURE
 &
 ENGINEERING

3233 BRUSH STREET - P.O. Box 210
 COTTONWOOD, CA 96022
 T: (530) 347-5500 F: (530) 347-7822

A NEW FENCING PROJECT for:
OLIVE VIEW ELEMENTARY SCHOOL
 CORNING UNION ELEMENTARY SCHOOL DISTRICT
 1402 FIG ST.
 CORNING, CA 96021

ARCHITECT

ENGINEER

REVISIONS:

△	-	-
△	-	-
△	-	-
△	-	-
△	-	-
△	-	-

FOR BID

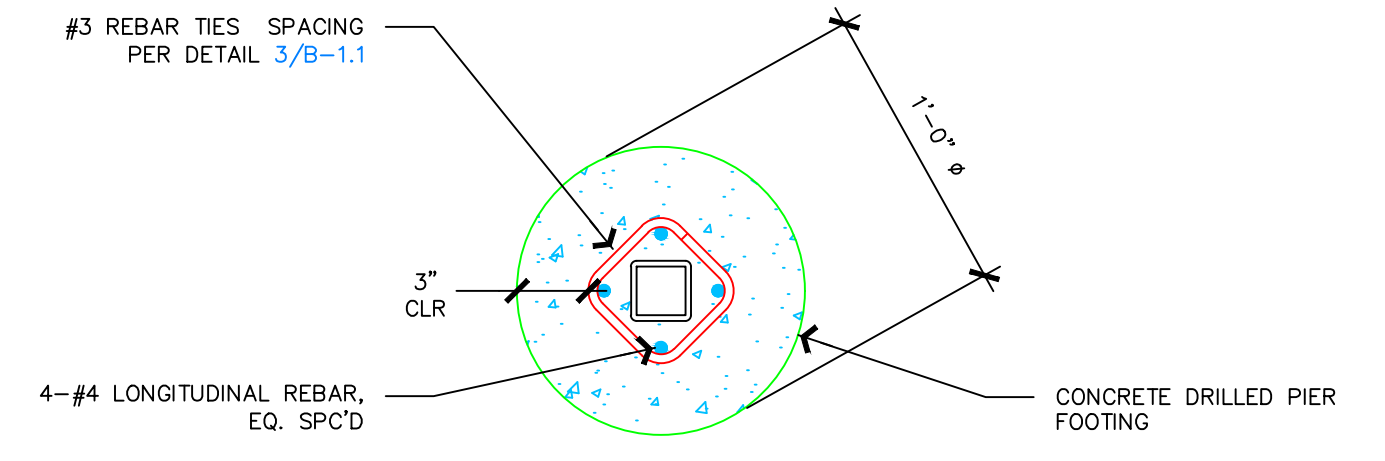
JOB No.: 24204
 DATE: 03-JUL-2024
 SHEET No.:
B-1.0
 FENCING LAYOUT PLAN

© Semingson Architecture & Engineering, Inc. All rights reserved. Semingson Architecture & Engineering, Inc. does not represent these plans or specifications in connection therewith are suitable whether or not modified for any other site other than the one for which they were specifically prepared, and disclaim responsibility for these plans and specifications if they are used in whole or in part at any other site.

NOT USED

NOT USED

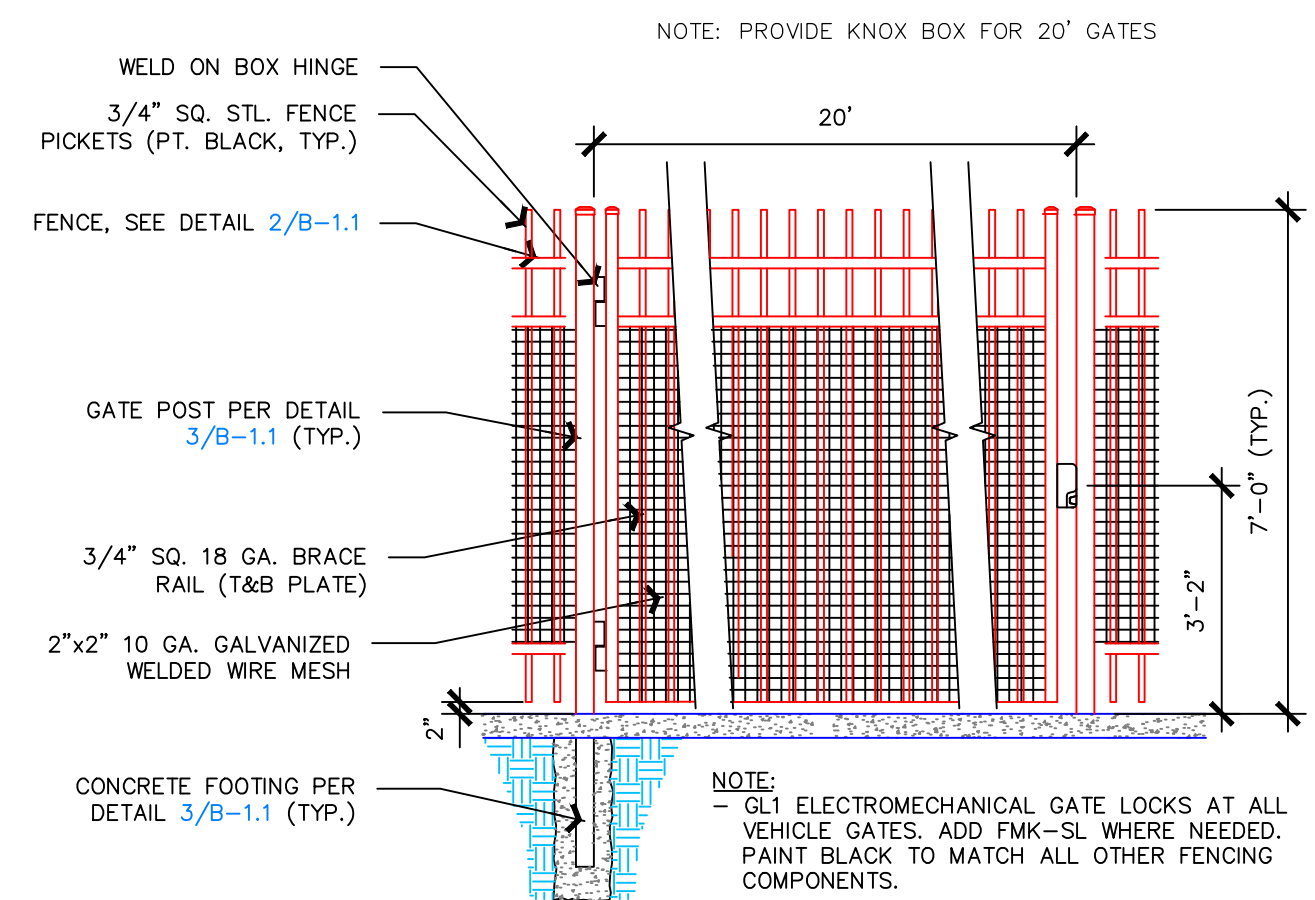
NOT USED



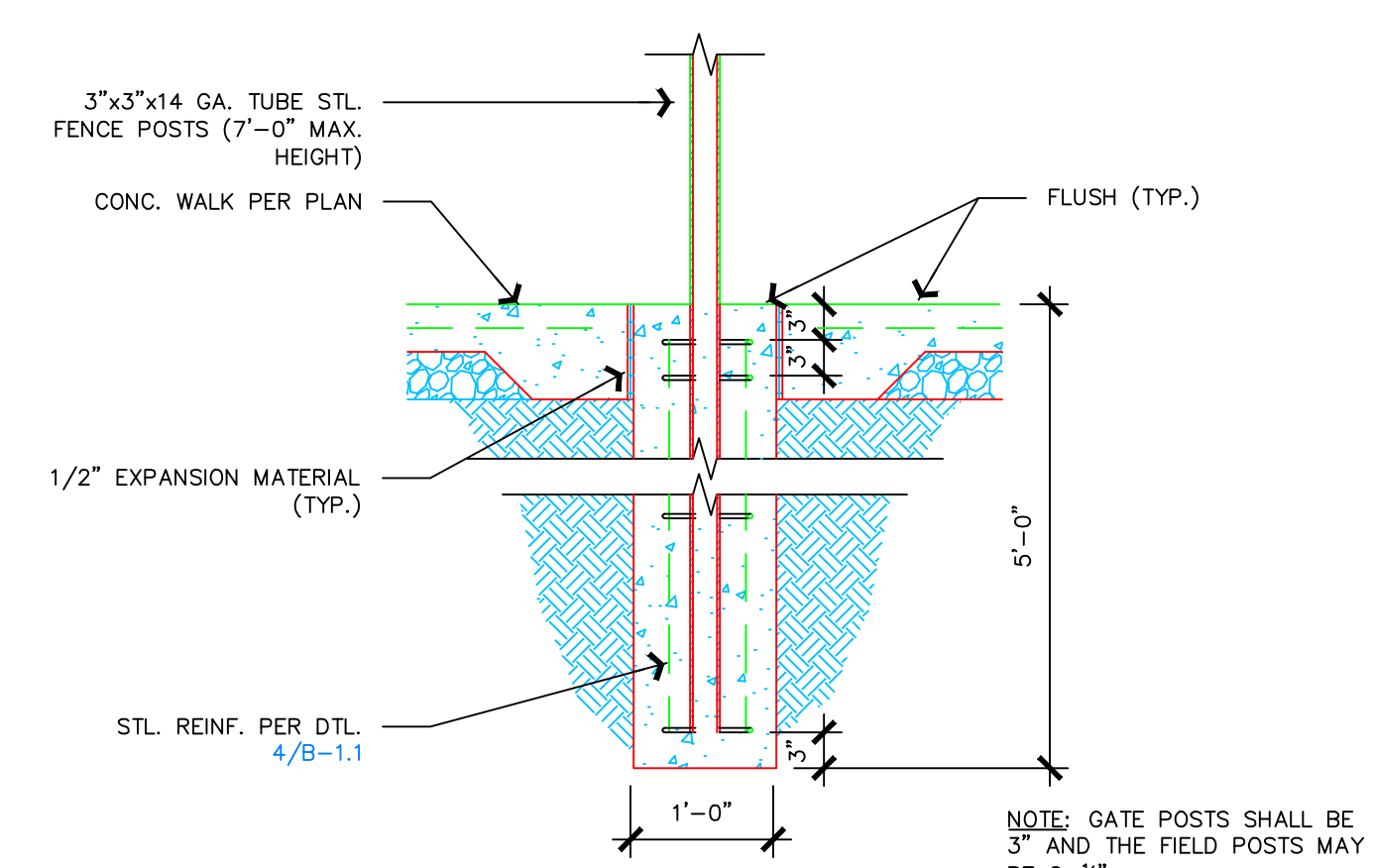
4 FENCE POST FTG SECTION DETAIL
SCALE: 1 1/2" = 1'-0"

NOT USED

NOT USED



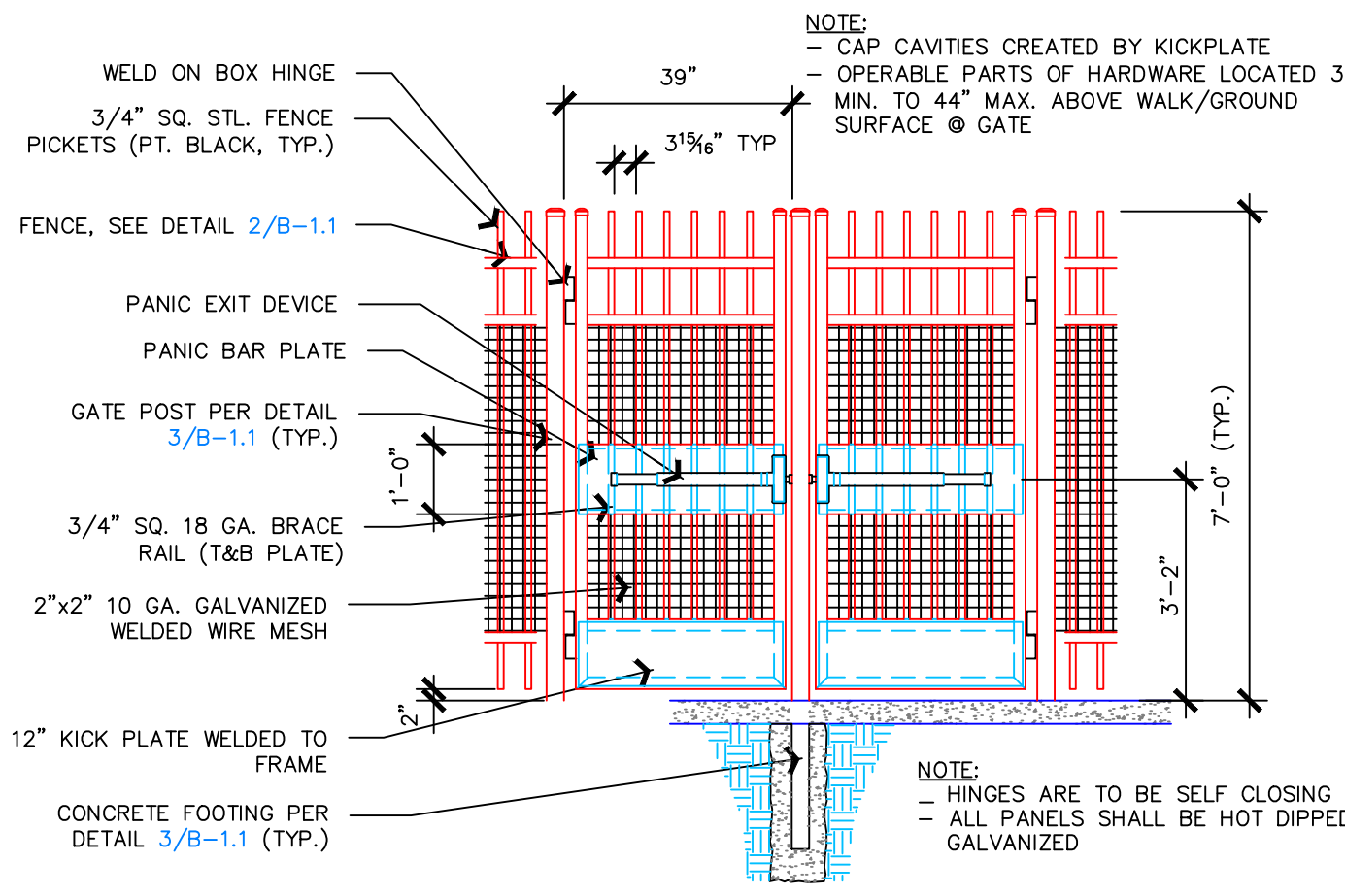
7 VEHICLE SLIDE GATE DETAIL
SCALE: 3/8" = 1'-0"



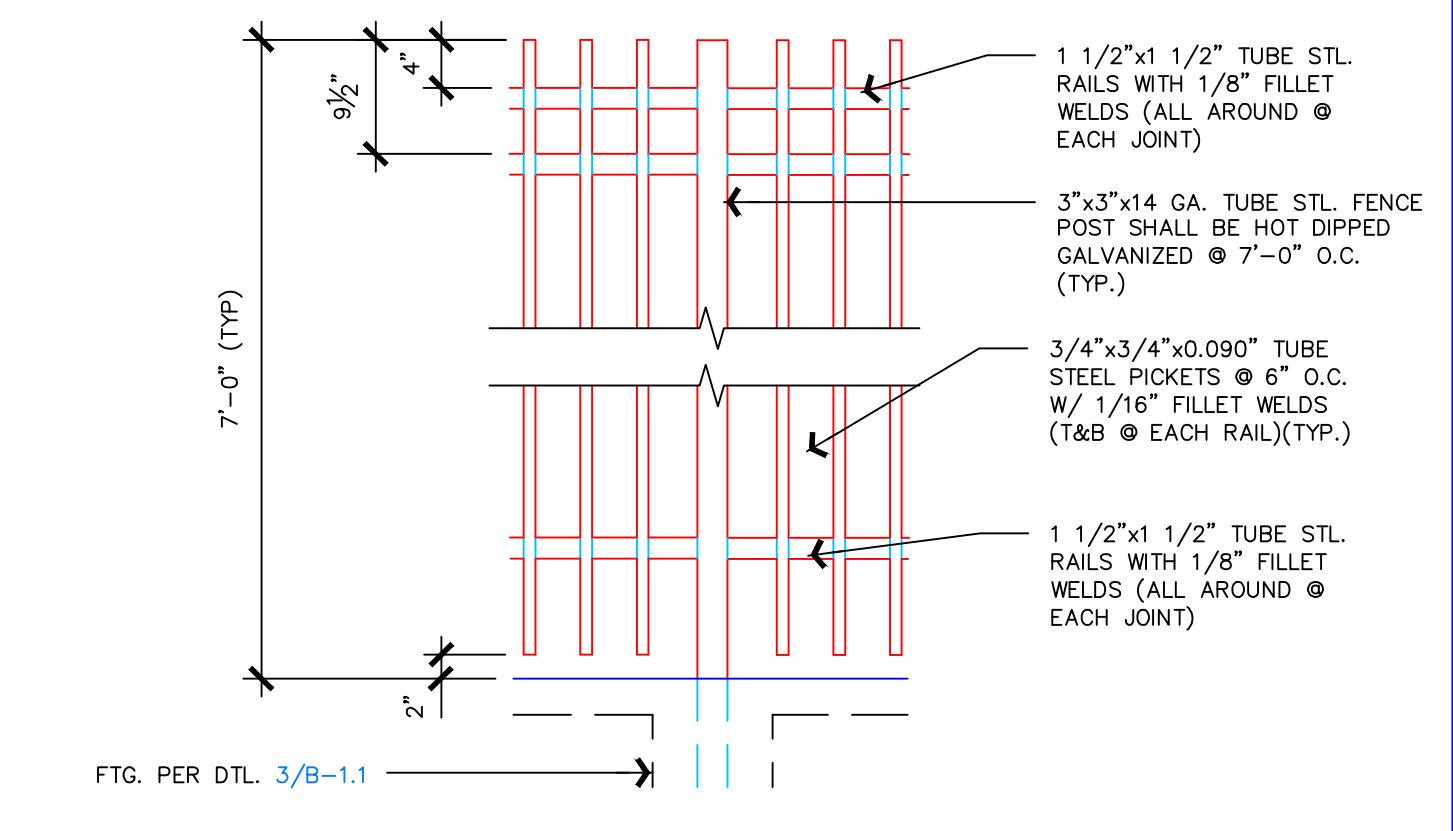
3 FENCE/GATE POST DETAIL
SCALE: 3/4" = 1'-0" ORNAMENTAL METAL FENCE

NOT USED

NOT USED



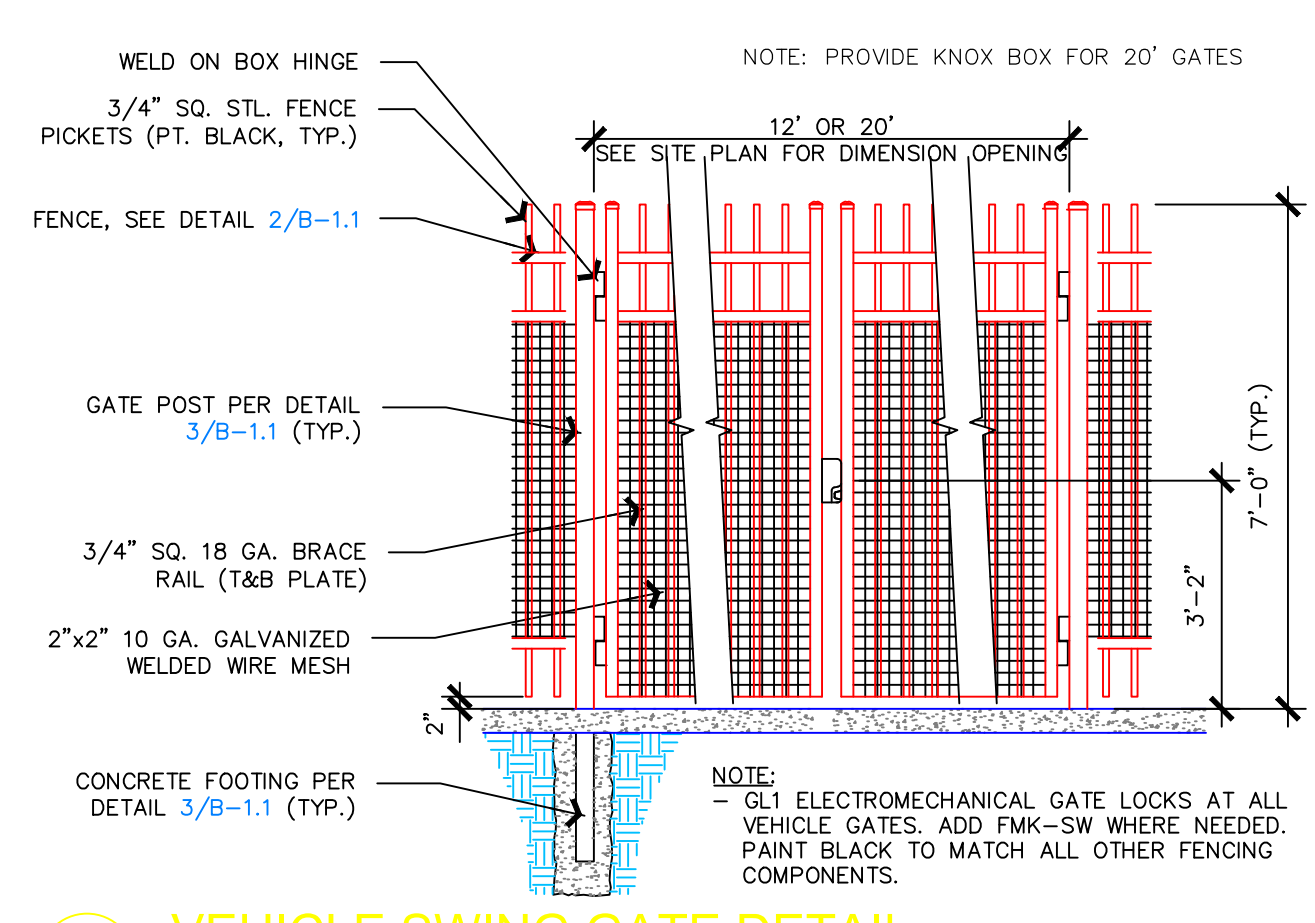
6 DOUBLE MAN GATE DETAIL
SCALE: 3/8" = 1'-0"



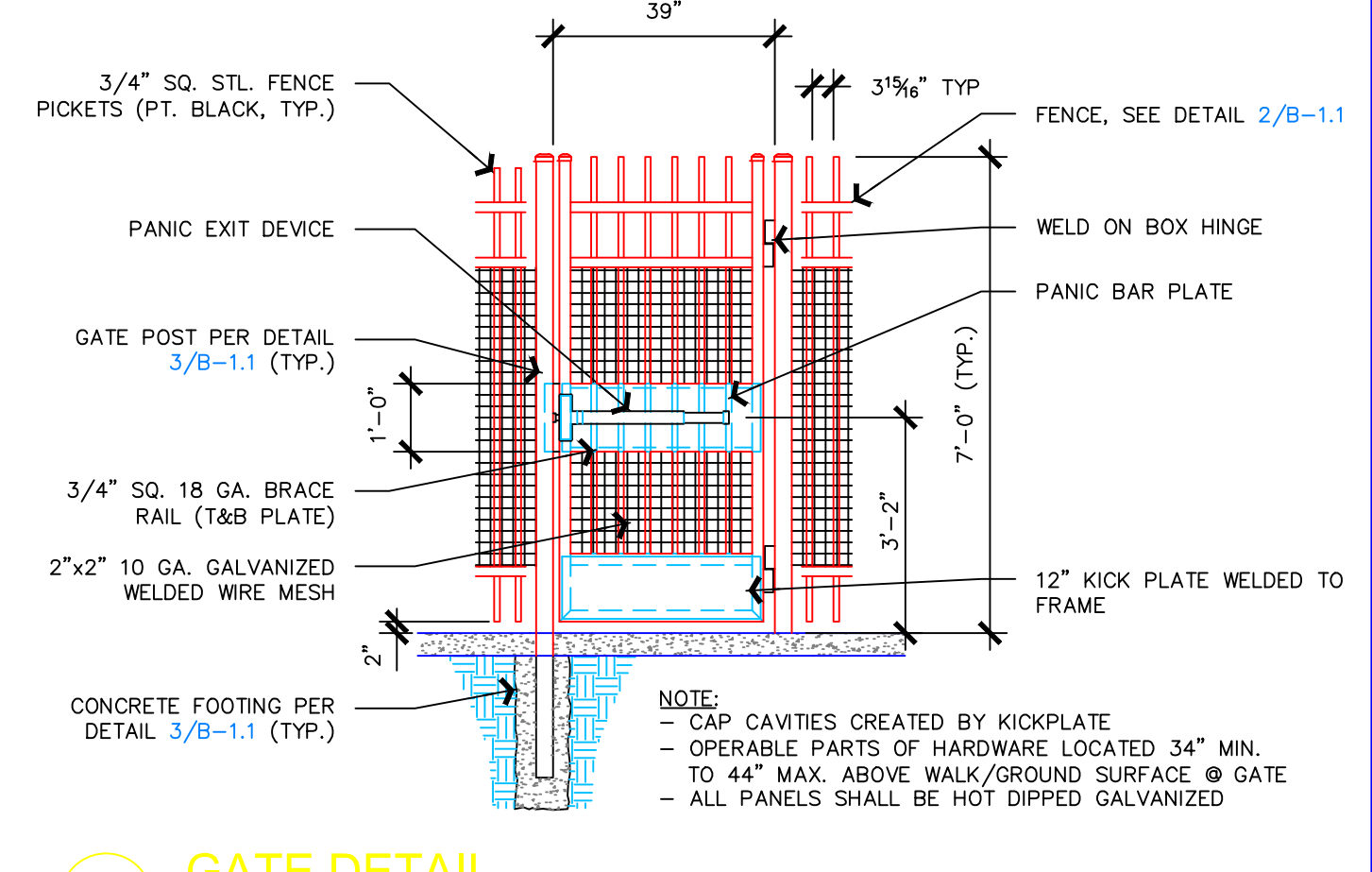
2 ELEVATION DETAIL @ FENCE
SCALE: 3/4" = 1'-0"

NOT USED

NOT USED



5 VEHICLE SWING GATE DETAIL
SCALE: 3/8" = 1'-0"



1 GATE DETAIL
SCALE: 3/8" = 1'-0"

AGENCY STAMP

SEMINGSON
ARCHITECTURE
&
ENGINEERING

3233 BRUSH STREET - P.O. BOX 210
COTTONWOOD, CA 96022
T: (530) 347-5500 F: (530) 347-7622

A NEW FENCING PROJECT for:

OLIVE VIEW ELEMENTARY SCHOOL
CORNING UNION ELEMENTARY SCHOOL DISTRICT
1402 FIG ST.
CORNING, CA 96021

ARCHITECT

ENGINEER

REVISIONS:

△			
△			
△			
△			
△			

FOR BID

JOB No.: 24204
DATE: 03-JUL-2024
SHEET No.:
B-1.1
Fence - Detail