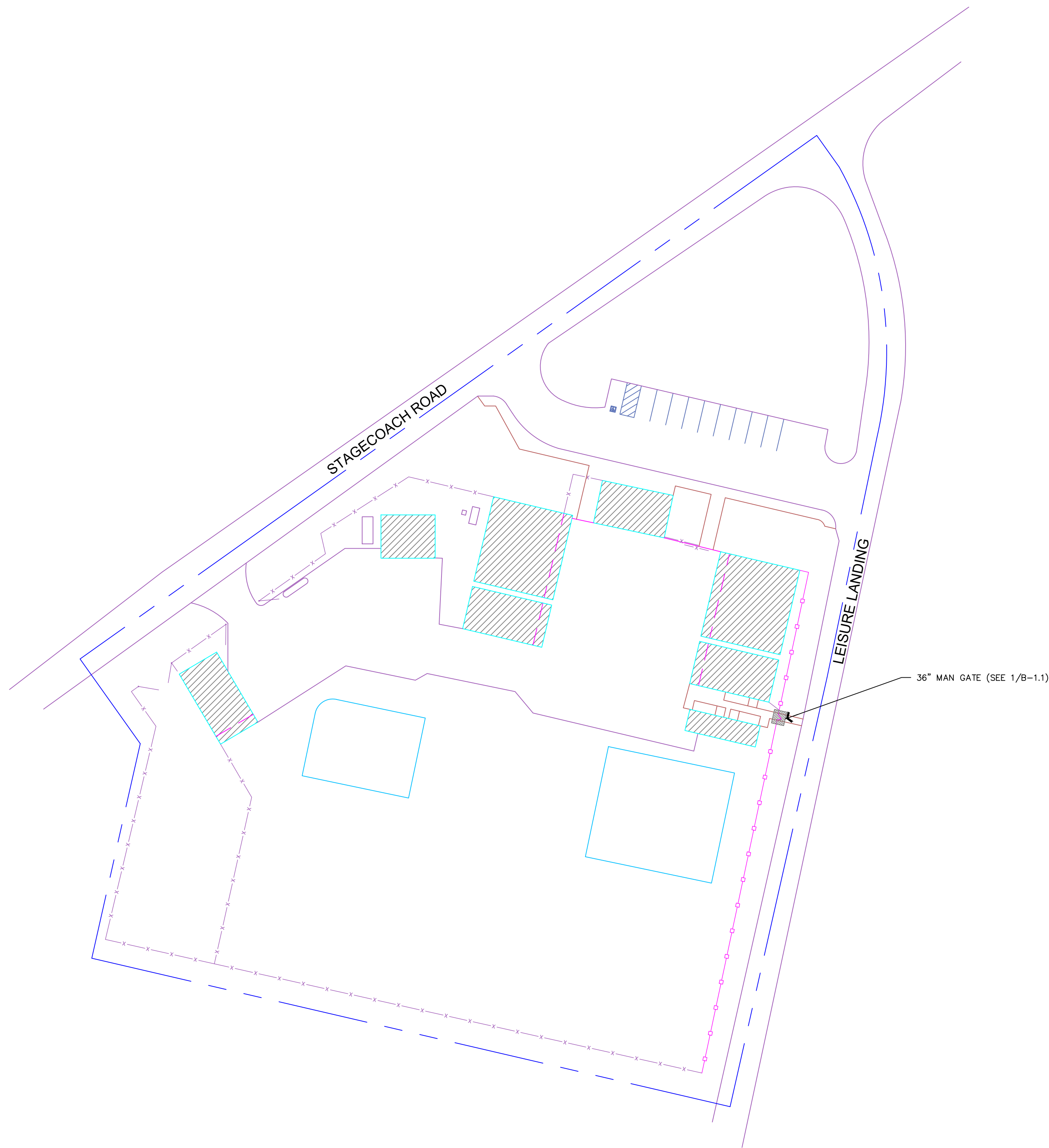


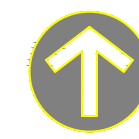
© Semingson Architecture & Engineering, Inc. All rights reserved. Semingson Architecture & Engineering, Inc. does not represent these plans or specifications in connection therewith are suitable whether or not modified for any other site other than the one for which they were specifically prepared, and disclaim responsibility if they are used in whole or in part at any other site.



APPROX. 286 LIN. FT. OF 7' WROUGHT IRON FENCING
(1) 36" MAN GATE

NOTE : ALL NEW FENCING IS TO BE MONTAGE COMMERCIAL

1 FENCING LAYOUT PLAN
SCALE: 1"=40'



SITE PLAN LEGEND

- (E) FENCE LINE
- (N) FENCE LINE
- (N) MAN GATE

AGENCY STAMP



A NEW FENCING PROJECT for:
RANCHO TEHAMA ELEM. SCHOOL
CORNING UNION ELEMENTARY SCHOOL DISTRICT
17357 STAGECOACH RD.
CORNING, CA 96021

ARCHITECT

ENGINEER

REVISIONS:

△	-	-
△	-	-
△	-	-
△	-	-
△	-	-
△	-	-

FOR BID

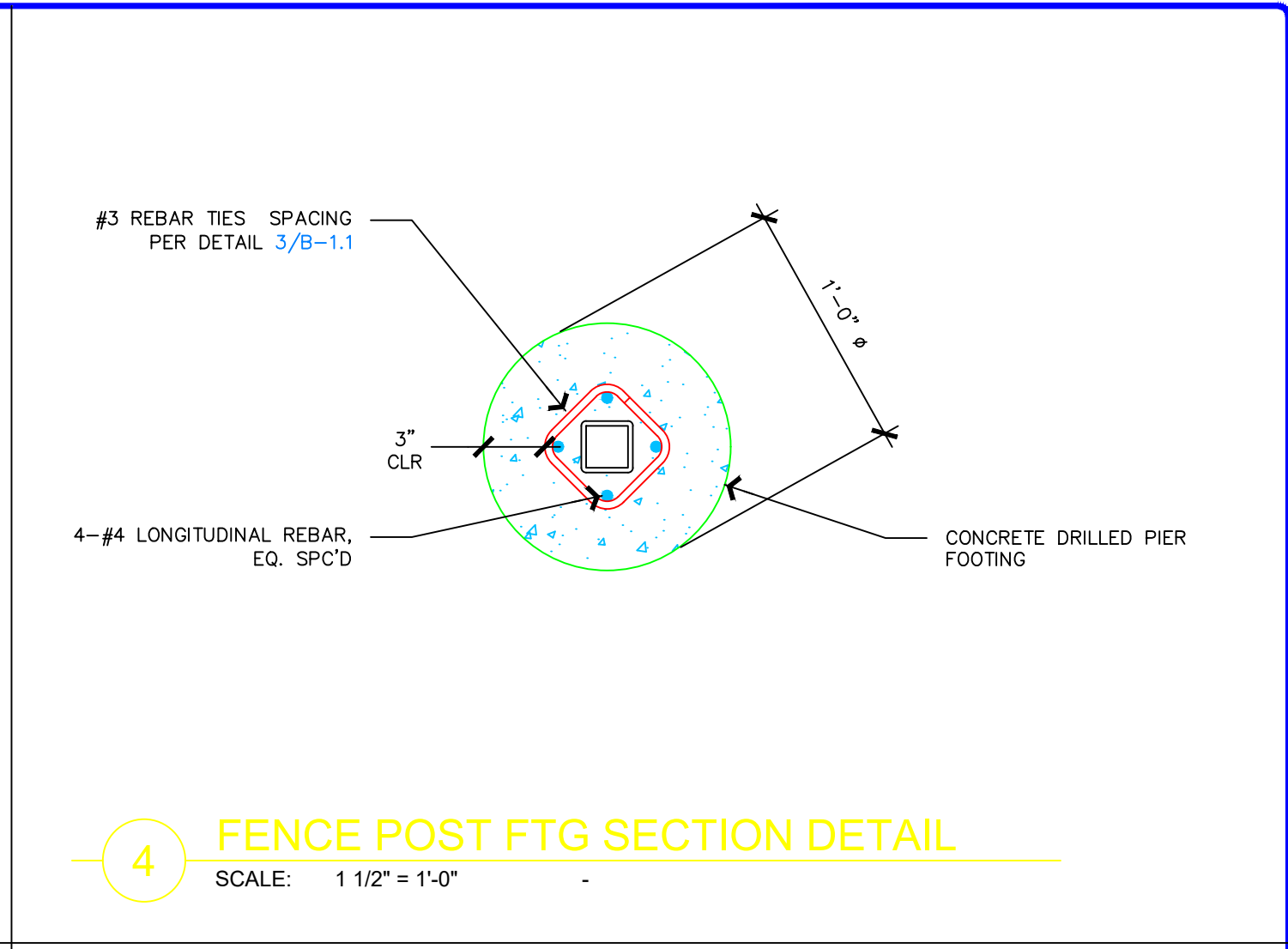
JOB No.: 24206
DATE: 03-JUL-2024
SHEET No.:
B-1.0
FENCING LAYOUT PLAN

© Semingson Architecture & Engineering, Inc. All rights reserved. Semingson Architecture & Engineering, Inc. does not represent these plans or specifications in connection therewith are suitable whether or not modified for any other site other than the one for which they were specifically prepared, and disclaim responsibility for these plans and specifications if they are used in whole or in part at any other site.

NOT USED

NOT USED

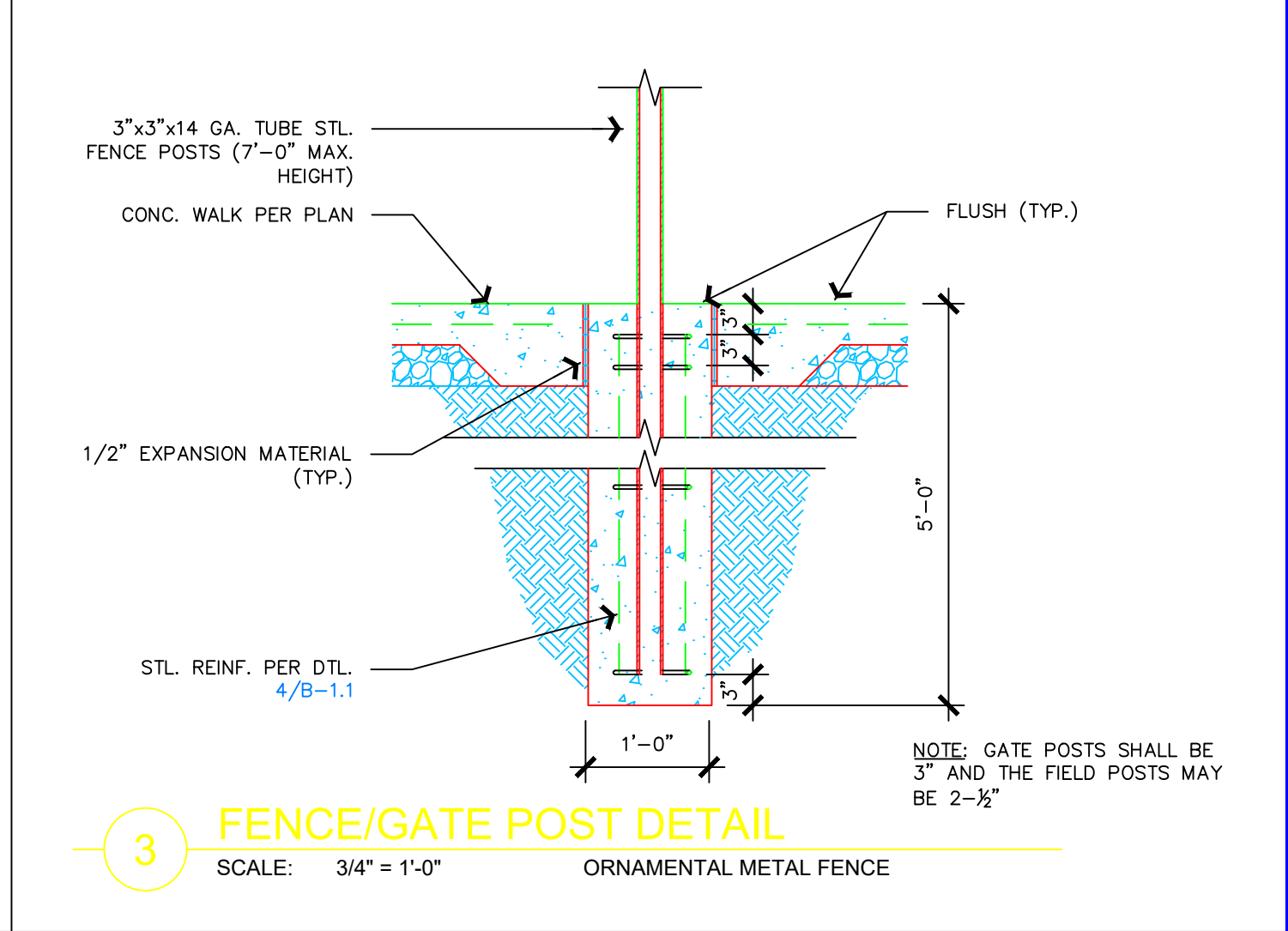
NOT USED



NOT USED

NOT USED

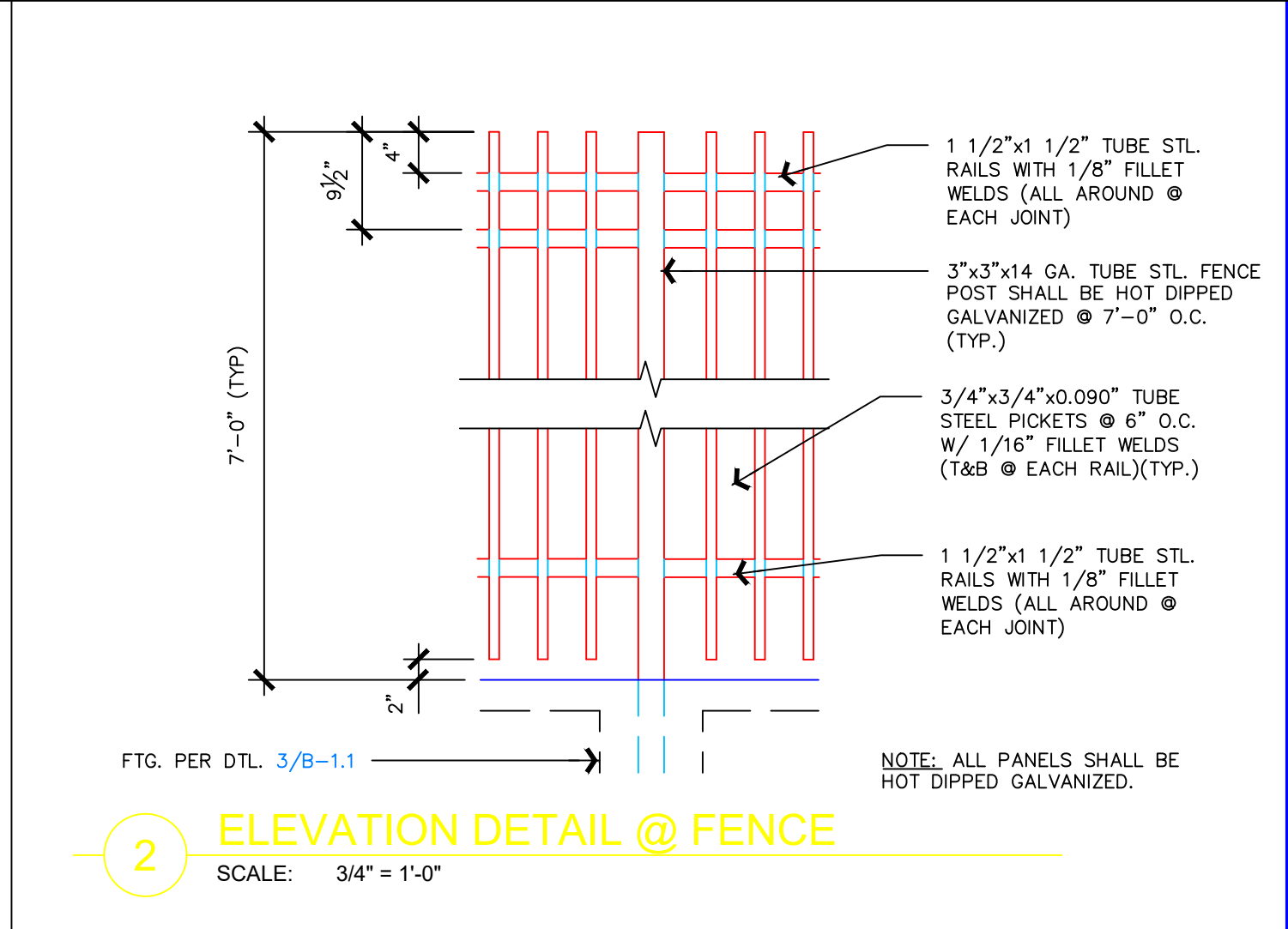
NOT USED



NOT USED

NOT USED

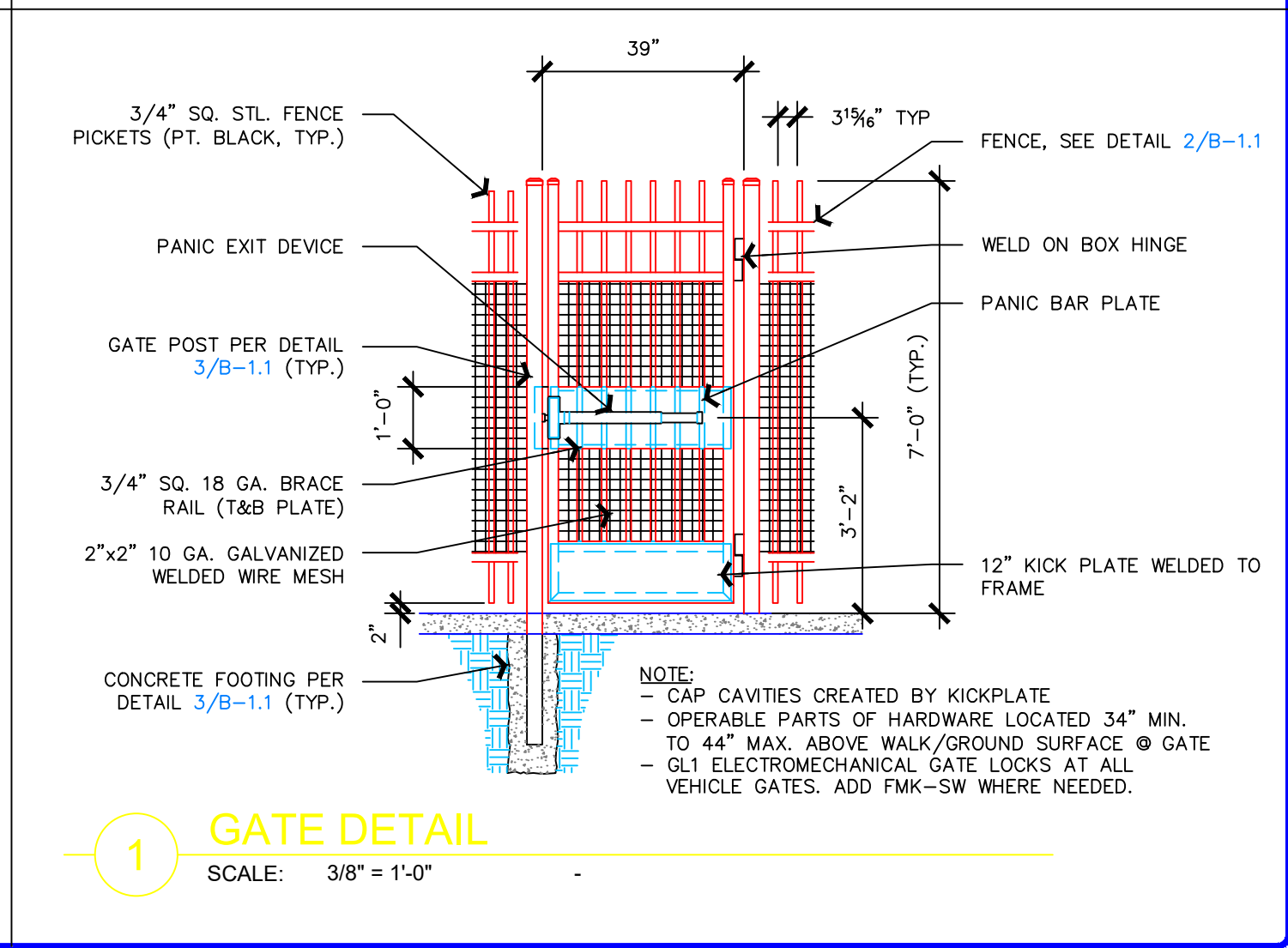
NOT USED



NOT USED

NOT USED

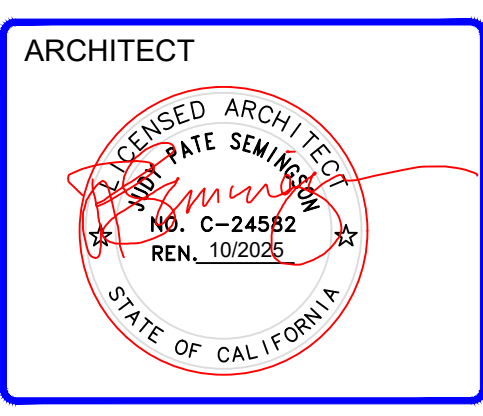
NOT USED



AGENCY STAMP



A NEW FENCING PROJECT for:
RANCHO TEHAMA ELEM. SCHOOL
CORNING UNION ELEMENTARY SCHOOL DISTRICT
17357 STAGECOACH RD.
CORNING, CA 96021



ENGINEER

REVISIONS:

△		
△		
△		
△		
△		
△		

FOR BID

JOB No.: 24206
DATE: 03-JUL-2024
SHEET No.:
B-1.1
Fence - Detail