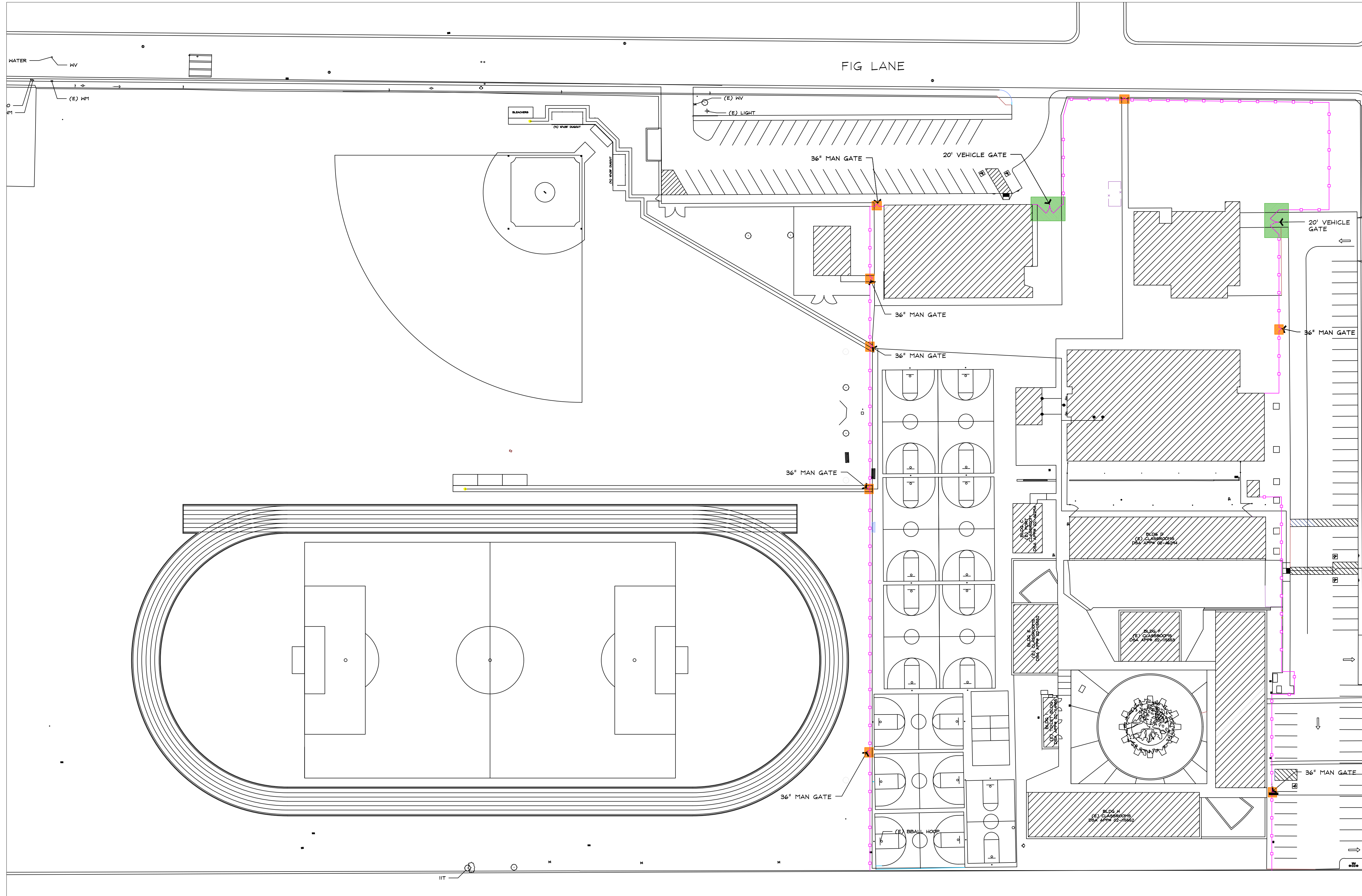
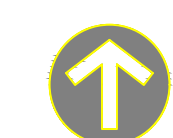


© Semington Architecture & Engineering, Inc. All rights reserved. Semington Architecture & Engineering, Inc. does not represent these plans or specifications in connection therewith or not modified for any other site other than the one for which they were specifically prepared, and disclaim responsibility for these plans and specifications if they are used in whole or in part at any other site.



APPROX. 1,510 LIN. FT. OF  
7" WROUGHT IRON FENCING  
(8) 36" MAN GATES  
(2) 20' VEHICLE GATE

**1 FENCING LAYOUT PLAN**  
SCALE: 1"=40'



**SITE PLAN LEGEND**

- (N) FENCE LINE
- (N) MAN GATE
- (N) VEHICLE GATE

AGENCY STAMP

**SEMINGTON**  
ARCHITECTURE  
ENGINEERING

3233 BRUSH STREET - P.O. Box 210  
COTTONWOOD, CA 96022  
T: (530) 347-5500 F: (530) 347-7822

A NEW FENCING PROJECT for:  
**MAYWOOD MIDDLE SCHOOL**  
CORNING UNION ELEMENTARY SCHOOL DISTRICT  
1666 MARGUERITE AVE  
CORNING, CA 96021

ARCHITECT

ENGINEER

REVISIONS:

△		
△		
△		
△		
△		
△		

FOR BID

JOB No.: 22229  
DATE: 18-JUL-2023  
SHEET No.:

**A=1.0**

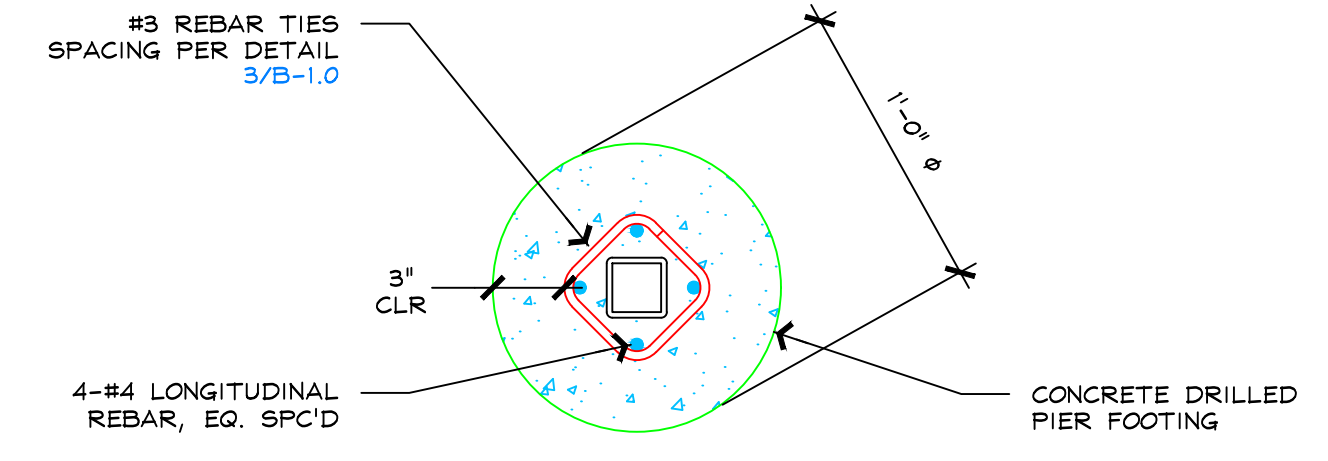
FENCING LAYOUT PLAN

© Semingson Architecture & Engineering, Inc. All rights reserved. Semingson Architecture & Engineering, Inc. does not represent these plans or specifications in connection therewith are suitable whether or not modified for any other site other than the one for which they were specifically prepared, and disclaim responsibility for these plans and specifications if they are used in whole or in part at any other site.

NOT USED

NOT USED

NOT USED

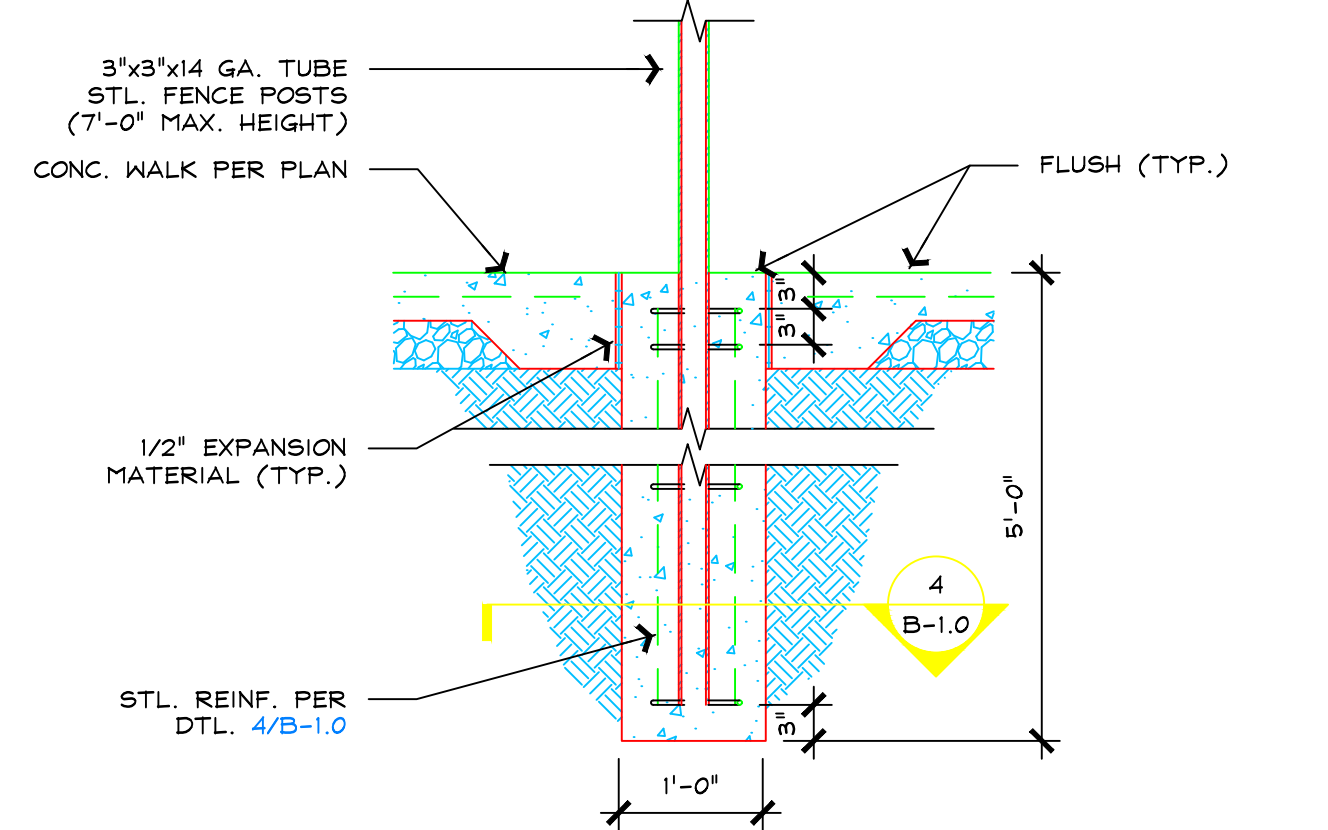


**4 FENCE POST FTG SECTION DETAIL**  
SCALE: 1 1/2" = 1'-0"

NOT USED

NOT USED

NOT USED

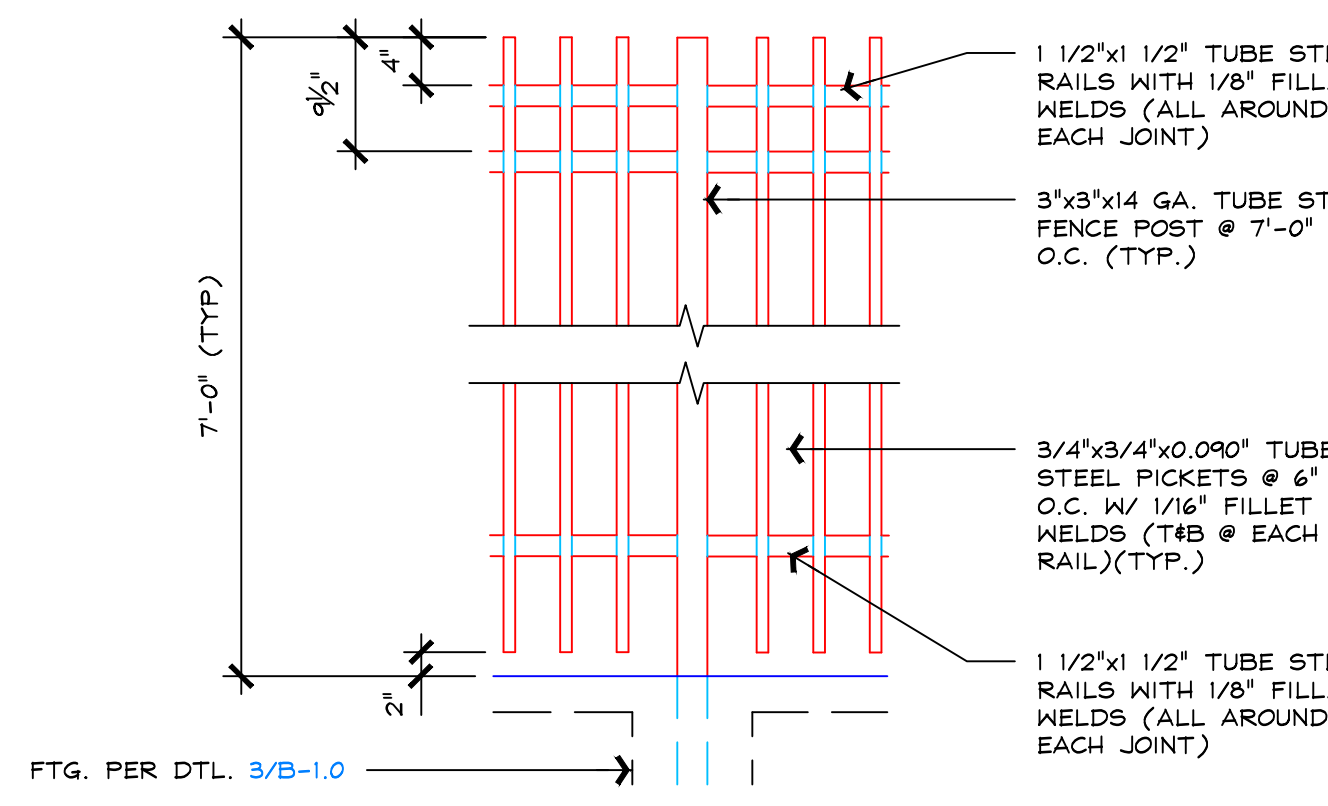


**3 FENCE/GATE POST DETAIL**  
SCALE: 3/4" = 1'-0"  
ORNAMENTAL METAL FENCE

NOT USED

NOT USED

NOT USED

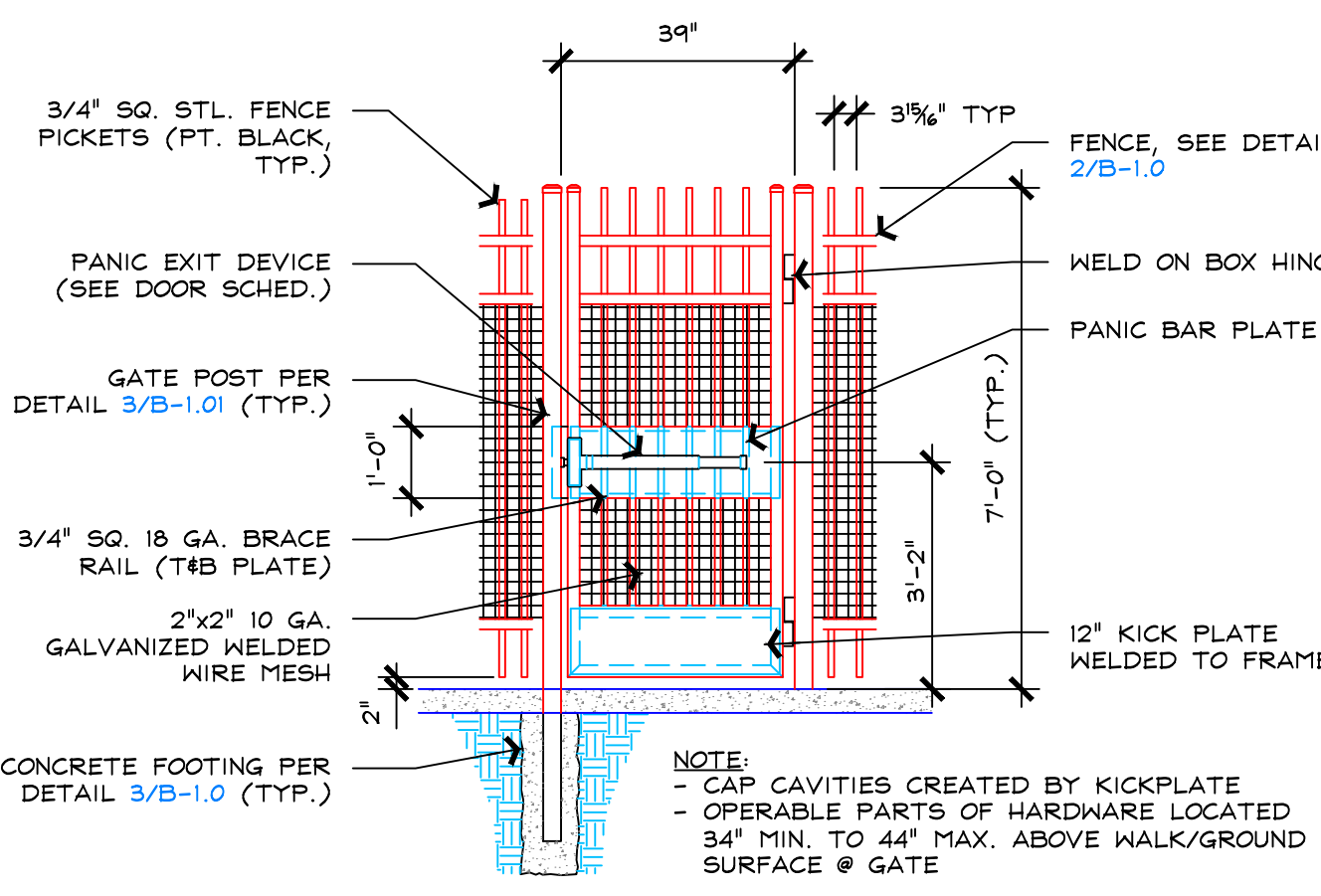


**2 ELEVATION DETAIL @ FENCE**  
SCALE: 3/4" = 1'-0"

NOT USED

NOT USED

NOT USED



**1 GATE DETAIL**  
SCALE: 3/8" = 1'-0"

AGENCY STAMP

A NEW FENCING PROJECT for:  
**MAYWOOD MIDDLE SCHOOL**  
CORNING UNION ELEMENTARY SCHOOL DISTRICT  
1666 MARGUERITE AVE  
CORNING, CA 96021

ARCHITECT

ENGINEER

REVISIONS:

△			
△			
△			
△			
△			

FOR BID

JOB No.: 22229  
DATE: 18-JUL-2023  
SHEET No.: **B-1.0**  
Fence - Detail